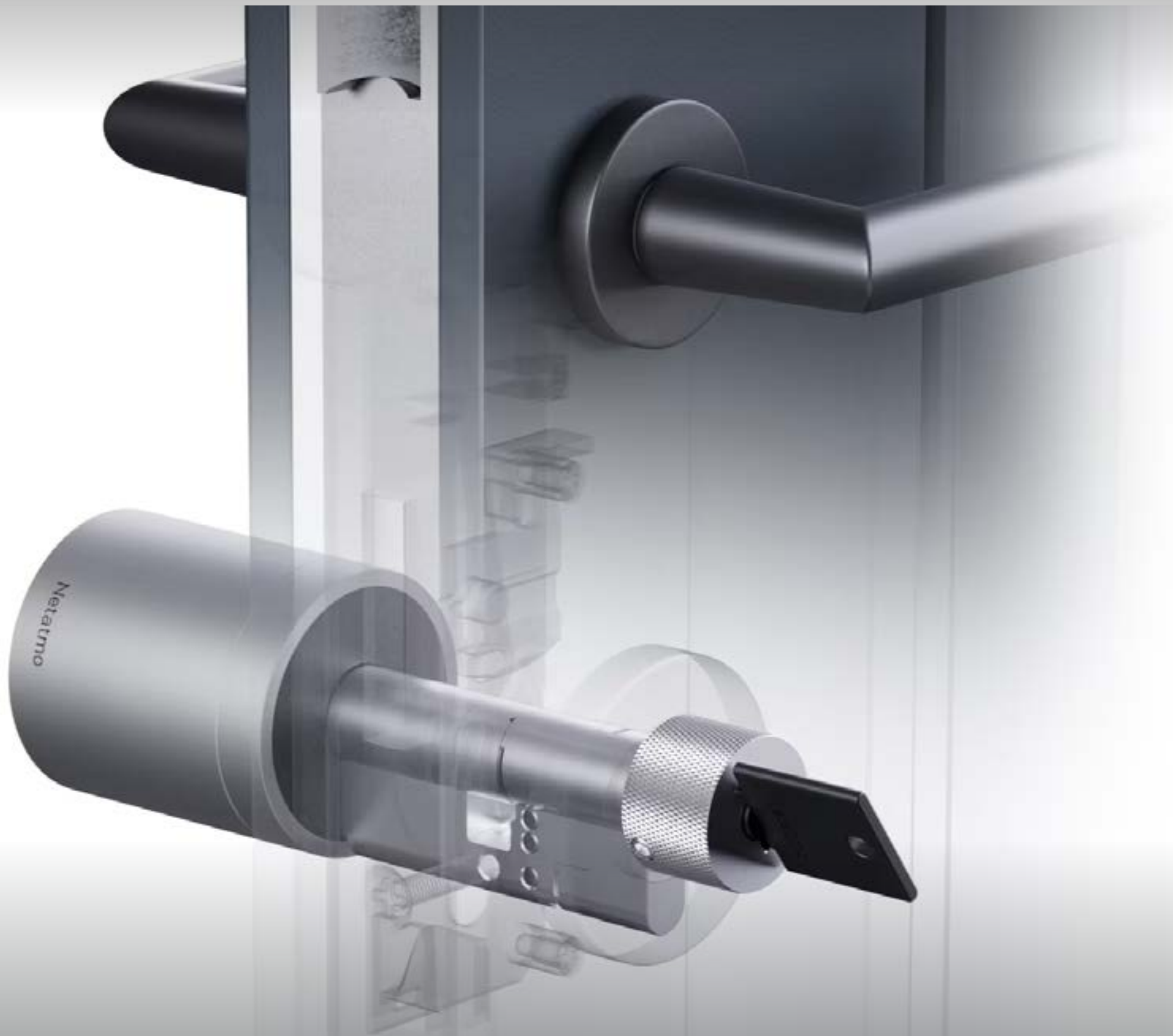


news



Netatmo | Spigen

Netatmo Doorlock

PN **NDL**
RRP **379,99 €**
EAN **3700730504805**



- The Smart Door Lock and Keys use the most durable materials and cutting-edge technology to provide the level of security you need to feel safe in your home. They also give you more flexibility in your day-to-day life, as you can manage access to your home simply and intuitively: add and remove Smart Keys instantly and share access to your home from anywhere using your smartphone. Lastly, they give you even more options by enabling you to use your smartphone as a spare key!
- For indoor use only


Tech Specs

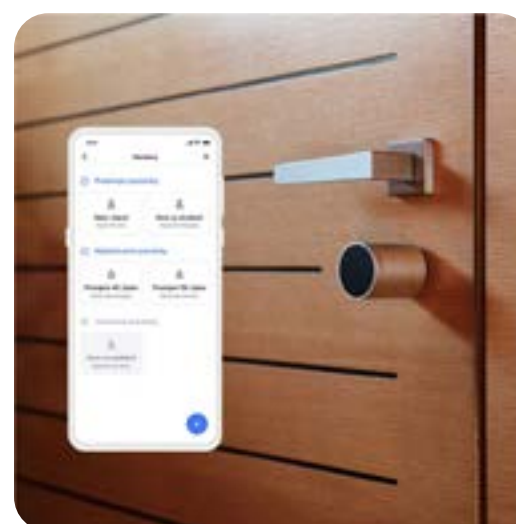
- Smart Key: Height 58mm, Width: 26mm, Key thickness: 2,5mm, Tube diameter 8mm, Weight 20g(+/-2g)
- Smart Doorlock: Diameter 50mm, Length 146mm, Outdoor knob diameter 26mm, European cylinder width 10mm, European cylinder height 32mm, Weight 330g (+/-5g)
- Type of power: 4 AAA batteries, Over 1-year battery life, Low battery notification, Backup micro-USB port to reactivate your door lock if the battery runs out.
- Power consumption: 1,5 V X 4AAA
- Electric compatibility: 5VDC - 0,6A

Package includes:

- 1 Smart Door Lock
- 3 Smart Keys
- 1 Property Card (for managing Smart Keys and returning to factory settings)
- 4 AAA batteries (1.5 V)
- 1 door measuring tool
- 1 user guide
- 1 fixing screw (M5-60)
- 1 Allen key (2.5 mm)
- 2 extension kits (35 mm, 40 mm)



 Snadná instalace na dveře vybavené evropskou cylindrickou vložkou



Netatmo Doorlock extension 45mm

PN **NDL-E45**
RRP **29,99 €**
EAN **3700730505055**



- Smart Lock length adjustment kit to adjust the lock to the thickness of your door (external thickness 45 mm / 50 mm)

Tech Specs

- Height: 33 mm
- Width: 17 mm
- Thickness: 25 mm / 30 mm
- Weight: 29g / 37 g

Package includes:

- 1 Outer extension (45mm)
- 1 Screw
- 1 Quick Installation Guide



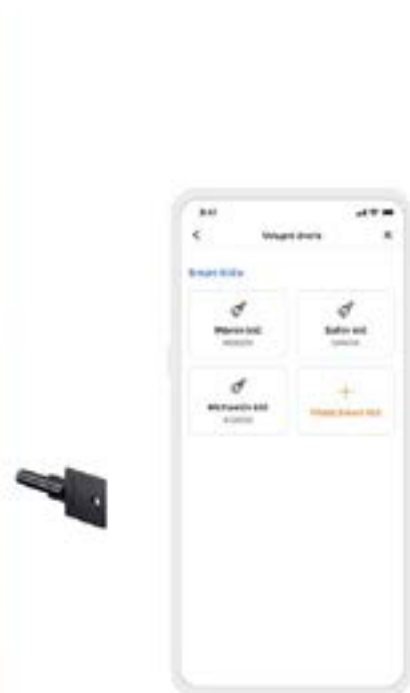
Netatmo Doorlock extension 50mm

PN **NDL-E50**
RRP **29,99 €**
EAN **3700730505062**



Netatmo Doorlock kit 1 key

PN **NDL-K1U**
RRP **39,99 €**
EAN **3700730505024**



- 1/3 Smart Keys that cannot be broken or duplicated, made of durable stainless steel

Tech Specs

- Length: 58mm
- Width: 23mm
- Weight: 20g (+-2g)

Package includes:

- 1/3 Smart Key
- 1 Quick Installation Guide

Netatmo Doorlock kit 3 keys

PN **NDL-K3U**
RRP **99,99 €**
EAN **3700730504812**



Spigen OneTap Universal Wireless Car Charger for Airvent, black

PN ACP01279
RRP 66,59 €
EAN 8809710751828

- Built for the Road: Made from premium materials and a metal hook for durability. Securely holds your phone on bumpy roads.
- Automatically Grips Phone: Press the buttons on the side to grip your phone via Smart Sense Mounting automatically. Operate your mount while the engine's off with Smart Save Technology up to 4-5 times.
- Easy to Install: Advanced metal hook clip secures onto the air vent with a twisting motion.
- Fast Charging for the Drive: Up to 15W super fast charging with a 20W or higher USB-C Power Adapter (sold separately)
- Fits Most Phones: Universal cradle adjusts to fit smartphones of most sizes.



Adjustable viewing angle.

Adjusts to any angle for a safe and comfortable view on the road.



Universal compatibility.

Works with diverse phone devices.



What's in the box?

Wireless car charge, advanced air vent clip and usb-C cable.



*Charger is not included.

